

ACUMIOS

LUXE Round Pull Out Kitchen Mixer Installation Instructions

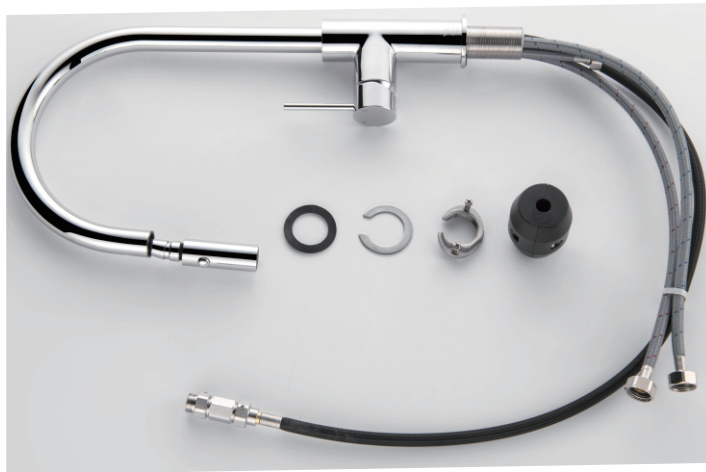
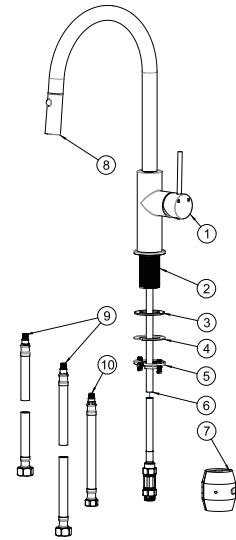
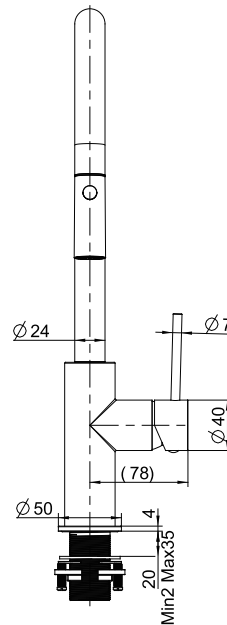
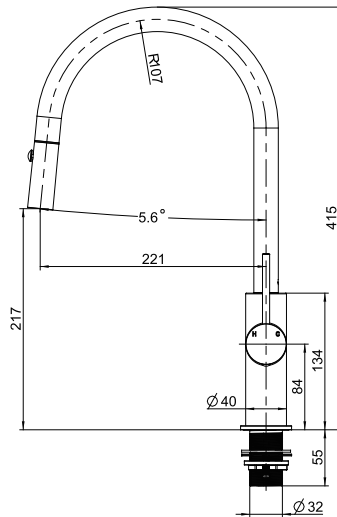


www.acumios.com.au



ACUMIOS

Installation Manual



NO.Ddescription

- 1.Main body
- 2.Thread sleeve
- 3.Washer
- 4 Gasket
- 5.Locking nut
- 6.Pul-out hose
- 7.Gravity bal
- 8.Hand piece
- 9.Inlet hose
- 10.Outlet hose

QTY

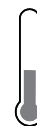
- X1
- X1
- X1
- X1
- X1
- X1
- X1
- X1
- X2
- X1

General information

- 1.Prior to installing a tap, all pipes leading to the product must be flushed clean.
- 2.Products are manufactured as per standard AS/NZS 3718:2021 and with WaterMark & WELS certificate as shown in the packing.
- 3.All surfaces should be cleaned with water or mild liquid detergent. Do not use cream cleaner or citrus based or chemical cleaning products.

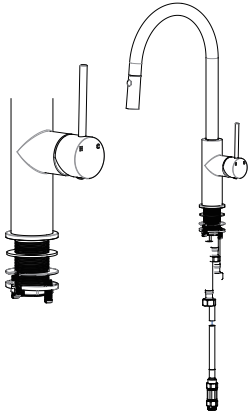
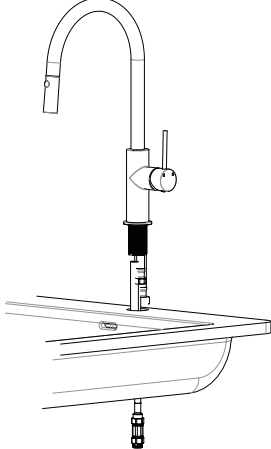
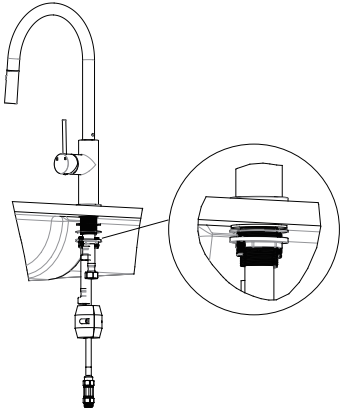
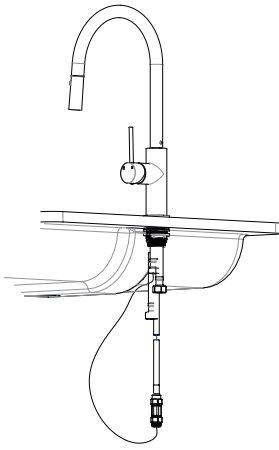
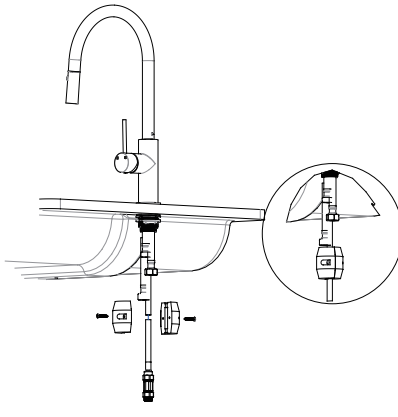
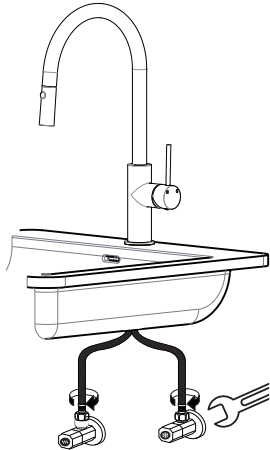


recommended
working pressure
**0.05– 0.8
MPa**



maximum hot
water temperature
**55
degrees**

Installation Instruction

<p>Step 1</p>  <p>Take off ⑤ ④ ③ from ②</p>	<p>Step 2</p>  <p>Insert ① into the hole</p>	<p>Step 3</p>  <p>Install and fix ③ ④ ⑤</p>
<p>Step 4</p>  <p>Connect ⑥ to ⑩</p>	<p>Step 5</p>  <p>Install the ⑨ into the ⑥ to ensure that the ⑥ can automatically return to position The test the hand piece</p>	<p>Step 6</p>  <p>Connect ⑨ to the water supply.</p>

The warranty will be void for any of the following reasons

- The product has been damaged through misuse, neglect or accident.
- The product has not been used in accordance with any applicable instruction guide.
- The purchaser has attempted to modify or repair the product.
- The product is not installed by a Registered Plumber.

▪ Contact Information:

Email: support@acumios.com.au

Website: www.acumios.com.au




ACUMIOS