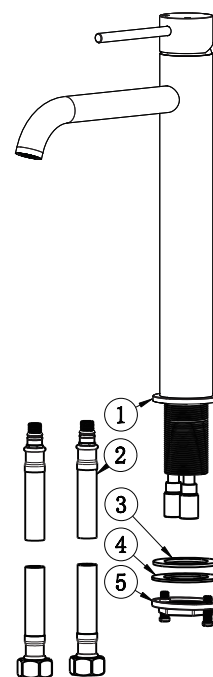
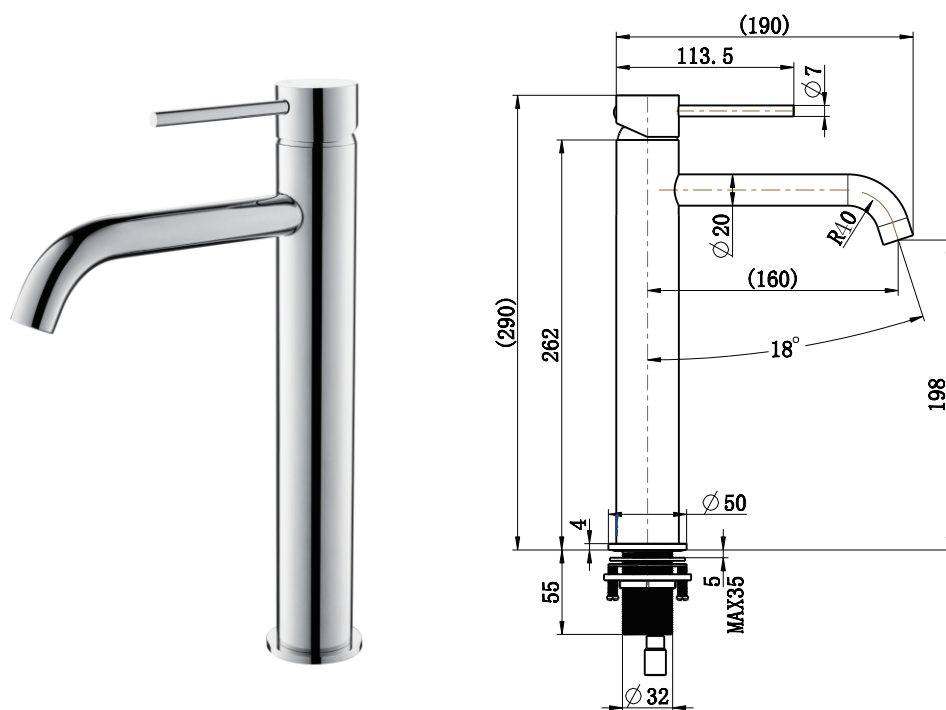


# ACUMIOS

## NOVA- Round Basin Mixer Curved Installation Instructions



# Installation Manual



## NO.Ddescription

- 1.Main body
- 2.Inlet hose
- 3.Washer
- 4.Gasket
- 5.Locking nut

## QTY

- X1
- X1
- X1
- X1
- X1

## General information

- 1.Prior to installing a tap, all pipes leading to the product must be flushed clean.
- 2.Products are manufactured as per standard AS/NZS 3718:2021 and with WaterMark & WELS certificate as shown in the packing.
- 3.All surfaces should be cleaned with water or mild liquid detergent.  
Do not use cream cleaner or citrus based or chemical cleaning products.

## Warranty Terms

All products are guaranteed as below:

1. 5 years guarantee against main body, finishing and Cartridge.
2. 2 years guarantee on washers and O-rings.



recommended working pressure

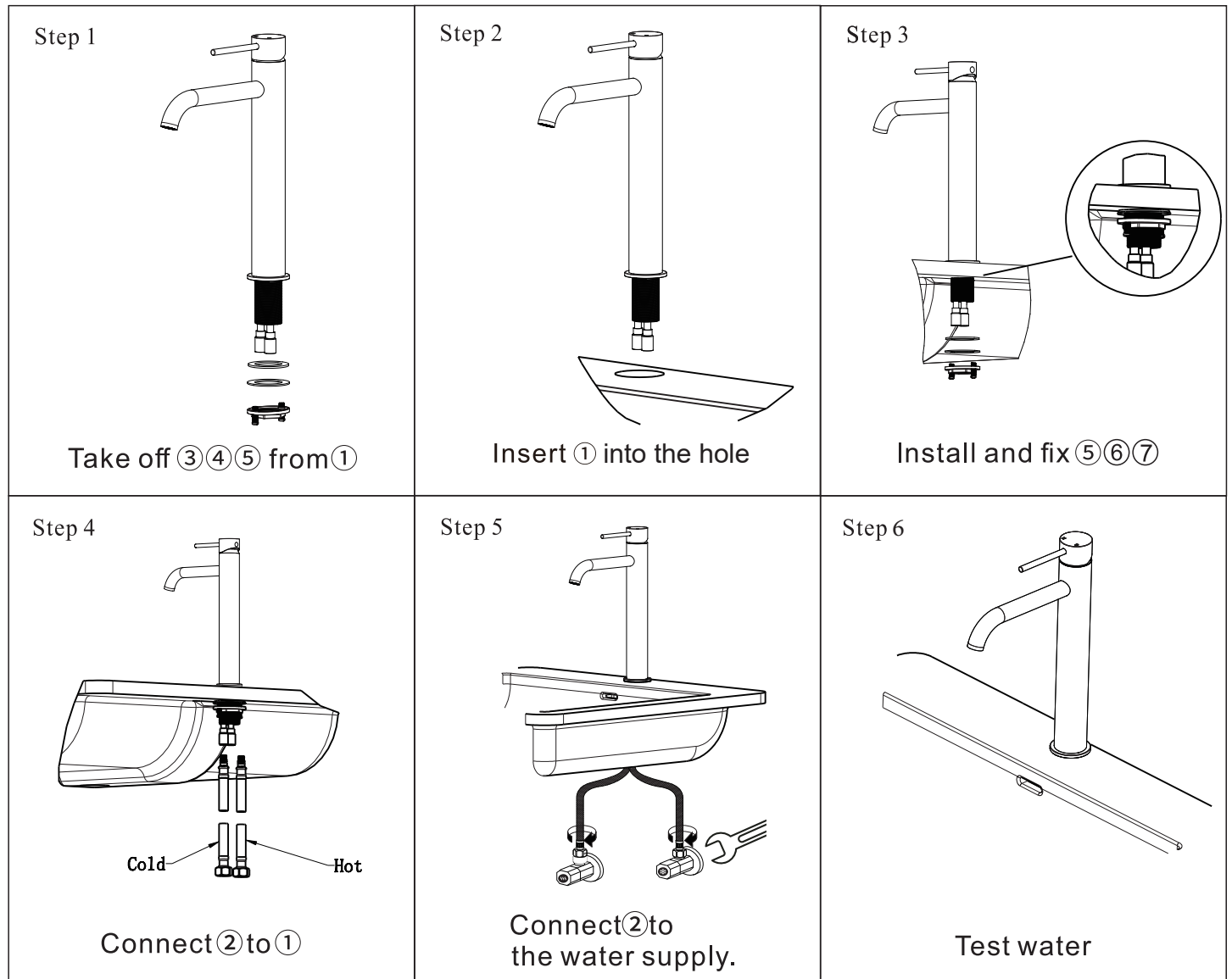
**0.05–1 MPa**



maximum hot water temperature

**55 degrees**

# Installation Instruction



## The warranty will be void for any of the following reasons

- The product has been damaged through misuse, neglect or accident.
- The product has not been used in accordance with any applicable instruction guide.
- The purchaser has attempted to modify or repair the product.
- The product is not installed by a Registered Plumber.

## Contact Information:

Email: [support@acumios.com.au](mailto:support@acumios.com.au)

Website: [www.acumios.com.au](http://www.acumios.com.au)



  
ACUMIOS