

ACUMIOS

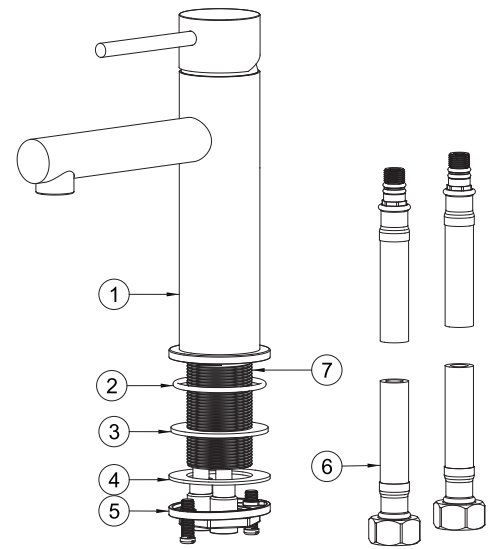
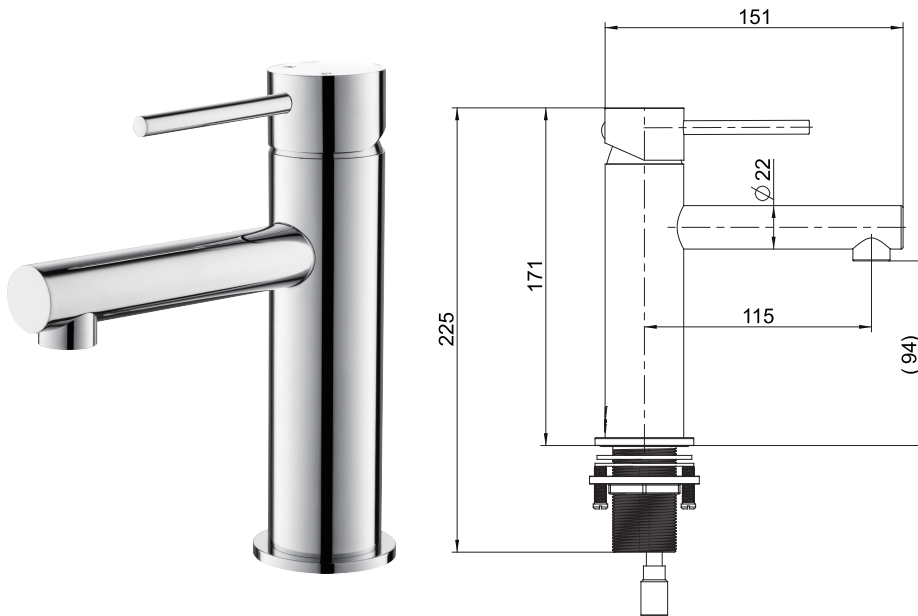
STONE Round Paddle Basin Mixer Installation Instructions





ACUMIOS

Installation Manual



NO.Ddescription

- 1.Main body
- 2.O-ring
- 3.Washer
- 4.Gasket
- 5.Locking nut
- 6.Inlet hose
- 7.Sleeve

QTY

- X1
- X1
- X1
- X1
- X1
- X2
- X1

General information

- 1.Prior to installing a tap, all pipes leading to the product must be flushed clean.
- 2.Products are manufactured as per standard AS/NZS 3718:2021 and with WaterMark & WELS certificate as shown in the packing.
- 3.All surfaces should be cleaned with water or mild liquid detergent. Do not use cream cleaner or citrus based or chemical cleaning products.
- 4.Installation to comply with Australia AS/NZS 3500.1.

The maximum operating pressure within any building should not exceed 500kPa. Pressure above 500kPa can cause damage from water hammer, reducing the life of appliances, taps and fittings and can cause excessive noise in the plumbing system. Pressure over 500kPa will require a limiting valve.

5.TECHNICAL DATA

Minimum water pressure for satisfactory operation: 150kPa
Maximum water pressure: 1,000kPa
Maximum hot water temperature:

70°C If the water exceeds 70°C an approved tempering valve must be fitted.



recommended working pressure
0.05-1 MPa



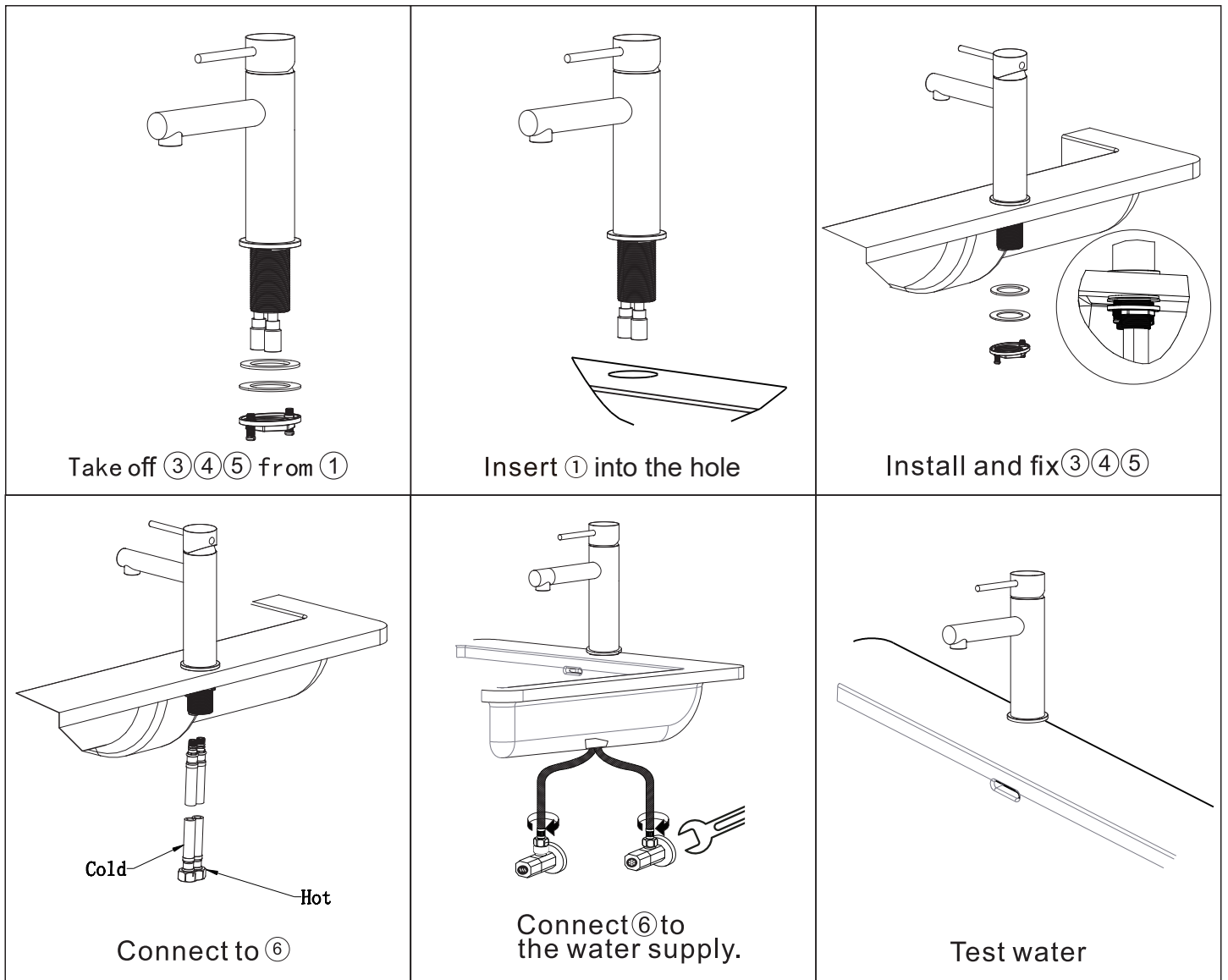
maximum hot water temperature
70 degrees

Warranty Terms

All products are guaranteed as below:

1. 5 years guarantee against main body, finishing and Cartridge.
2. 2 years guarantee on washers and O-rings.

Installation Instruction



The warranty will be void for any of the following reasons

- The product has been damaged through misuse, neglect or accident.
- The product has not been used in accordance with any applicable instruction guide
- The purchaser has attempted to modify or repair the product.
- The product is not installed by a Registered Plumber.

▪ Contact Information:

Email: support@acumios.com.au

Website: www.acumios.com.au

