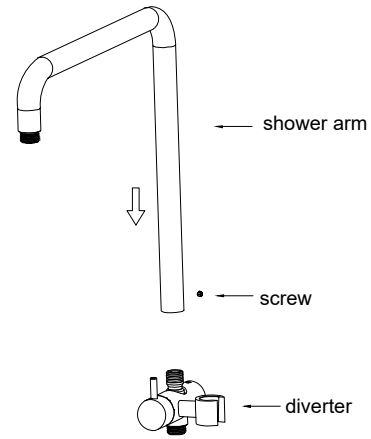
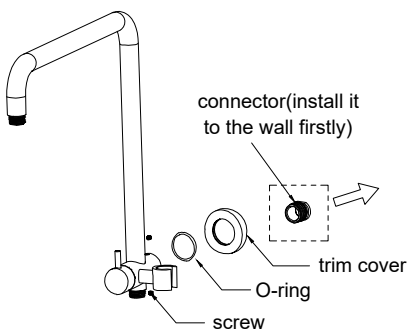


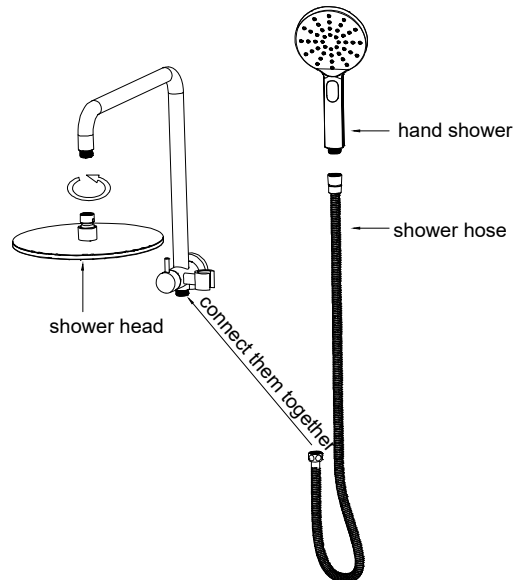
1. Install the shower arm and main body.



2. Install the shower set to the wall.



3. Install the shower head, hand shower and shower hose.



INSTALLATION INSTRUCTIONS:

- An approved pressure-limiting device must be installed if the pressure exceeds or is likely to exceed 550 kPa.
- Flush out all pipework prior to installation.
- If the water temperature exceeds 75°C, an approved tempering valve must be fitted.
- Installation should comply with Australian Standard AS3500.1 or relevant local authority requirements.

SUITABILITY FOR USE:

- Showers may not be suitable for use with:
- Gravity-fed water systems
 - Some instantaneous hot water systems
 - Pressure supply less than 150 kPa

NOTE: The 500 kPa maximum water supply pressure does not apply to fire service outlets.
 Failure to comply with the above may void all warranties.

WARRANTY:

Please refer to the full warranty statement enclosed with the product before installing.

MAINTENANCE AND CARE:

- Chrome-plated surfaces should be cleaned with mild liquid detergent or soap and water.
- Do not use cream cleaners or citrus-based cleaning products, as they are abrasive.
- Use of unsuitable cleaning agents may damage the surface. Any damage caused in this way will not be covered by the warranty.

DISCLAIMER:

While we aim to ensure the specifications shown are correct at the time of printing, we reserve the right to make modifications without prior notice. Always use the physical product measurements for mark-ups and roughing-in, as the line drawing shown may differ from the actual product over time.